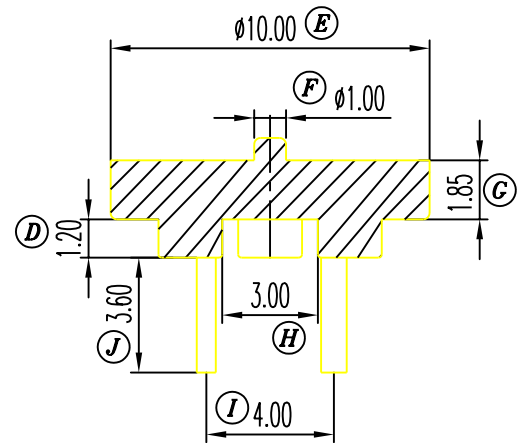
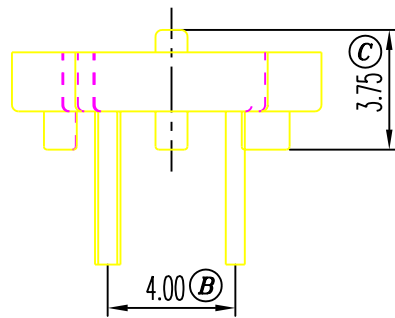
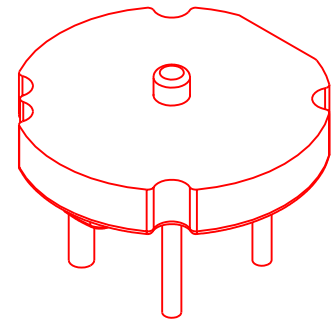
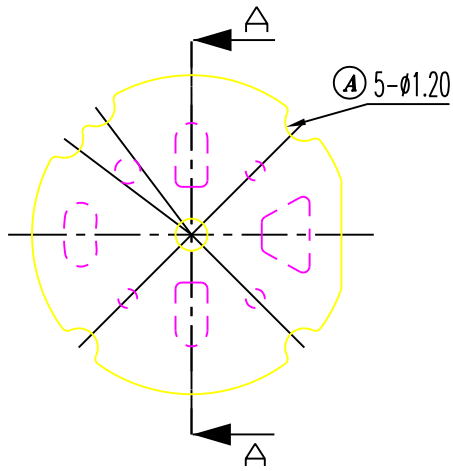
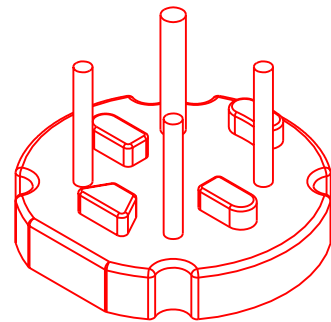
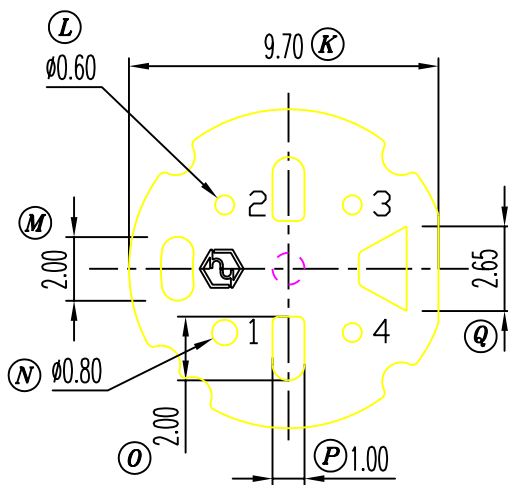





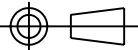
E-192738



SECTION A-A



REV.	REVISION RECORD	DATE	REV.	REVISION RECORD	DATE
A			C		
B			D		

NAME	8P BASE-5	MATERIAL	PHENOLIC	SCALE	3/1	ANGLE:	$\pm 1^\circ$
DRAWING NO.	HYB086	PIN MATERIAL	CP WIRE	UNIT	m/m	REV.:	A
UL REC.: 94V-0	PIN TENSION LOAD: 1.0kg MIN		 信詠塑膠工業股份有限公司 HSIN YUNG PLASTIC INDUSTRIAL CO., LTD. TEL: 886-2-29953711 FAX: 886-2-29990010 信詠塑膠電子廠 HSIN YUNG PLASTIC ELECTRONICS FACTORY TEL: 0769-86632011 FAX: 0769-86635843				
TOLERANCES:	0 < L ≤ 4: ±0.1    4 < L ≤ 16: ±0.2    16 < L ≤ 63: ±0.3						
	PIN PITCH: ±0.2    WALL THICKNESS: ±0.15						