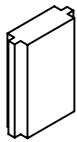
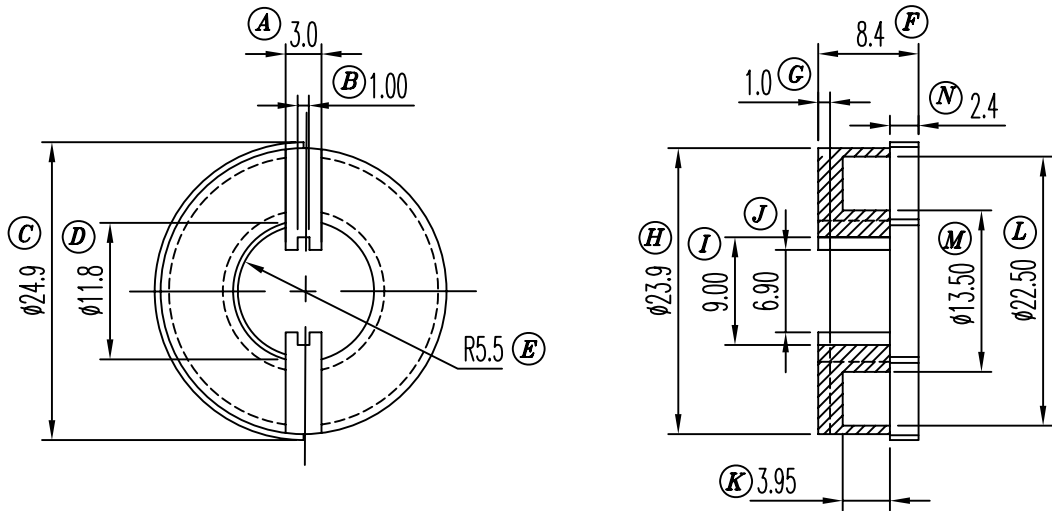


(A)



(B)



REV.	REVISION RECORD	DATE	REV.	REVISION RECORD	DATE
A			C		
B			D		

NAME	2214*8 A.B	MATERIAL	PP	SCALE	1.5/1	ANGLE:	$\pm 1^\circ$
DRAWING NO.	HY C008	PIN MATERIAL		UNIT	m/m	REV.:	A
TOLERANCE OF PIN PITCH	$\pm 0.20$			 信詠塑膠工業股份有限公司 HSIN YUNG PLASTIC INDUSTRIAL CO.,LTD. TEL:886-2-29953711 FAX:886-2-29990010 信詠塑膠電子廠 HSIN YUNG PLASTIC ELECTRONICS FACTORY TEL:0769-6632011 FAX:0769-6635843			
PIN TENSION LOAD	MIN	UL REC.:94V-0					
TOLERANCES: 0<L≤4:±0.1 4<L≤16:±0.2 16<L≤63:±0.3							