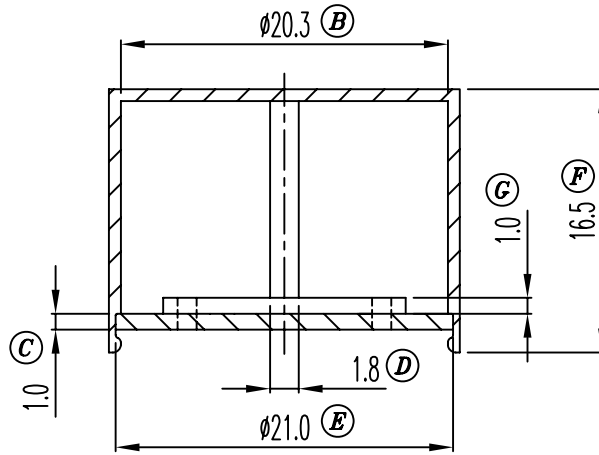
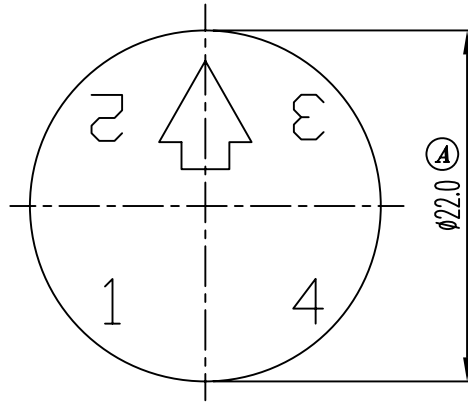
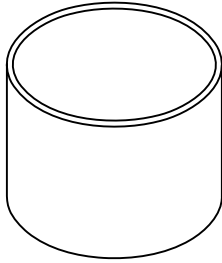
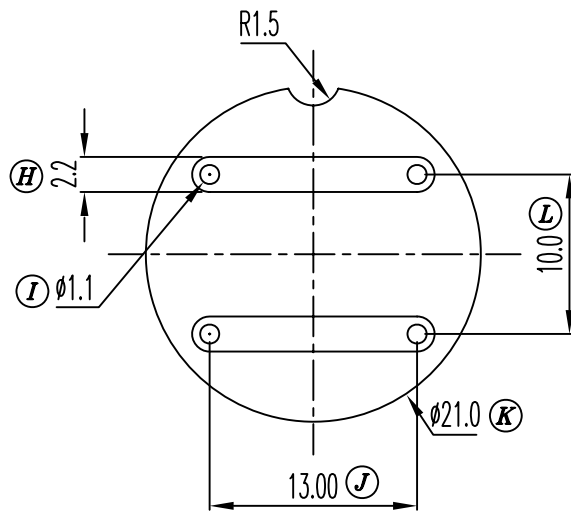
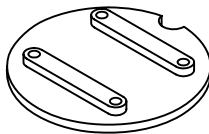


1016-1



1016-2A



REV.	REVISION RECORD	DATE	REV.	REVISION RECORD	DATE
A			C		
B			D		

NAME	1016-1.2A	MATERIAL	PP	SCALE	2/1	ANGLE:	$\pm 1^\circ$
DRAWING NO.	HY C014	PIN MATERIAL		UNIT	m/m	REV.:	A
TOLERANCE OF PIN PITCH	$\pm 0.20$			信詠塑膠工業股份有限公司 HSIN YUNG PLASTIC INDUSTRIAL CO.,LTD. TEL:886-2-29953711 FAX:886-2-29990010 信詠塑膠電子廠 HSIN YUNG PLASTIC ELECTRONICS FACTORY TEL:0769-6632011 FAX:0769-6635843			
PIN TENSION LOAD	MIN	UL REC.:94V-0					
TOLERANCES: 0<L<4: $\pm 0.1$ 4<L<16: $\pm 0.2$ 16<L<63: $\pm 0.3$							