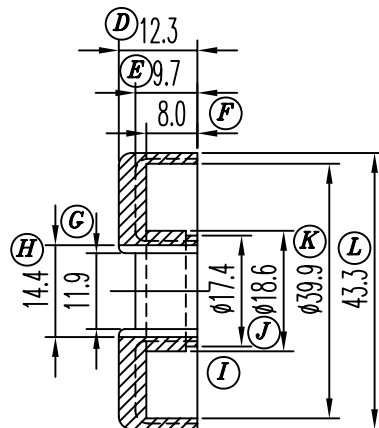
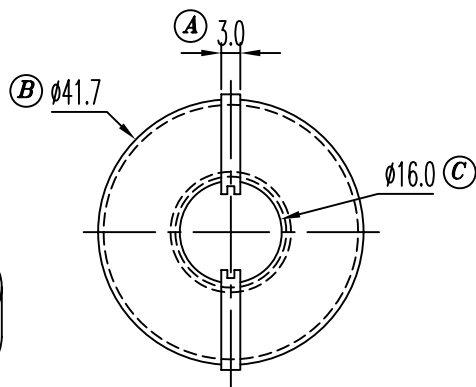
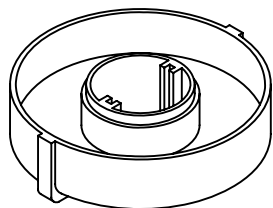
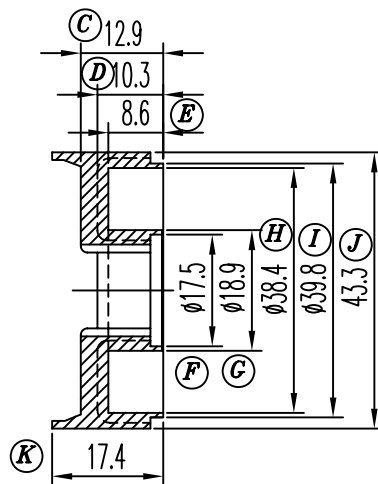
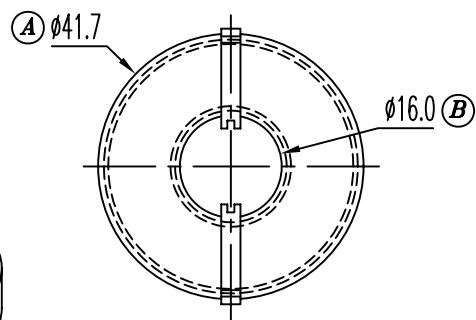
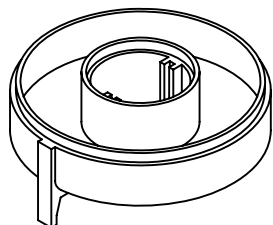


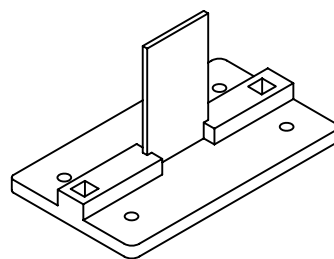
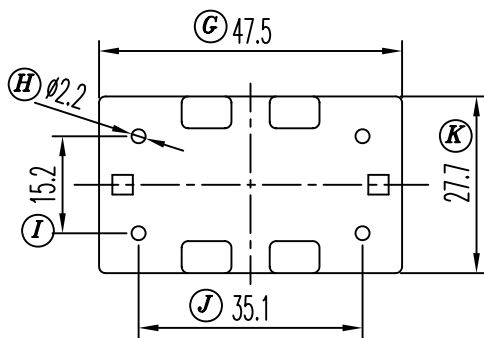
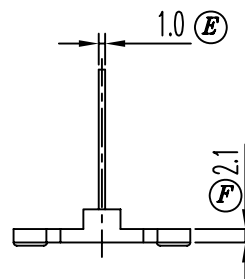
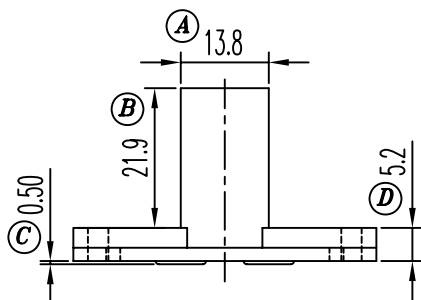
(A)



(B)



(C)



REV.	REVISION RECORD	DATE	REV.	REVISION RECORD	DATE
A	材質為PBT	2001.10.21	C	(A): J 18.90 → 18.60	2005.4.11
B	材質由PBT改為PP	2003.4.5	D		

NAME	3819A.B.C	MATERIAL	PP	SCALE	1/1	ANGLE:	±1°
DRAWING NO.	HY C016	PIN MATERIAL		UNIT	m/m	REV.:	C
TOLERANCE OF PIN PITCH	±0.20			信詠塑膠工業股份有限公司 HSIN YUNG PLASTIC INDUSTRIAL CO.,LTD. TEL:886-2-29953711 FAX:886-2-29990010 信詠塑膠電子廠 HSIN YUNG PLASTIC ELECTRONICS FACTORY TEL:0769-6632011 FAX:0769-6635843			
PIN TENSION LOAD	MIN	UL REC.:94V-0					
TOLERANCES: 0<L≤4:±0.1 4<L≤16:±0.2 16<L≤63:±0.3							