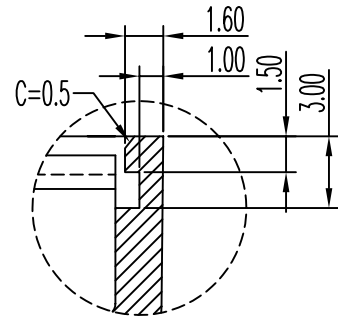
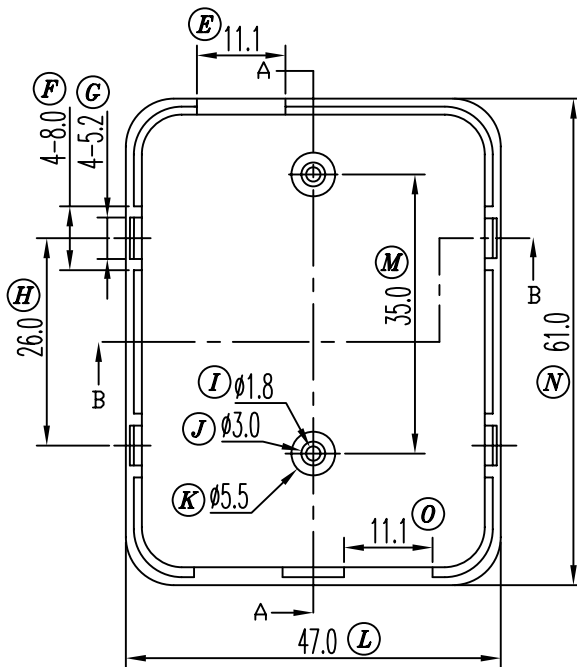


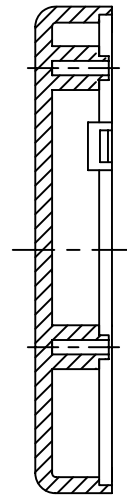
SECTION B-B



DETAIL C(3:1)



SECTION A-A



REV.	REVISION RECORD	DATE	REV.	REVISION RECORD	DATE
A			C		
B			D		

NAME	分頻器上蓋	MATERIAL	ABS	SCALE	1/1	ANGLE:	±1°
DRAWING NO.	HY C019	PIN MATERIAL		UNIT	m/m	REV.:	A
TOLERANCE OF PIN PITCH ±0.20				信詠塑膠工業股份有限公司 HSIN YUNG PLASTIC INDUSTRIAL CO., LTD. TEL:886-2-29953711 FAX:86-2-29990010 信詠塑膠電子廠 HSIN YUNG PLASTIC ELECTRONICS FACTORY TEL:0769-6632011 FAX:0769-6635843			
PIN TENSION LOAD MIN		UL REC.:94-HB					
TOLERANCE: 0<L≤4:±0.1 4<L≤16:±0.2 16<L≤63:±0.3							