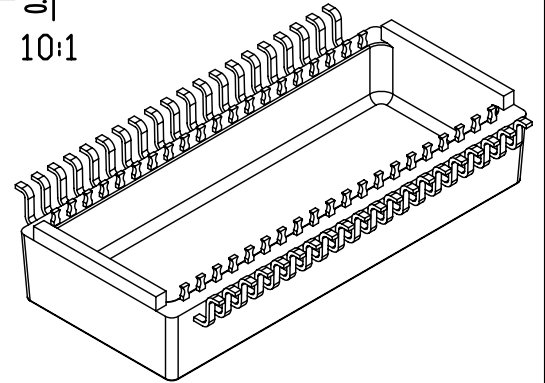



SECTION A-A



NOTE : 1.平整度0.08m/mMAX.  
 2.外觀表面光潔度須與客戶樣品一致.  
 3.PIN腳的斜度為0.1m/mMAX

| REV. | REVISION RECORD | DATE | REV. | REVISION RECORD | DATE |
|------|-----------------|------|------|-----------------|------|
| A    |                 |      | C    |                 |      |
| B    |                 |      | D    |                 |      |

| NAME        | 40P CASE(SMD)                          | MATERIAL         | DAP-WH9100      | SCALE  | 2/1 | ANGLE: | ±1° |
|-------------|--|------------------|-----------------|--|-----|--------|-----|
| DRAWING NO. | HYS C003                               | PIN MATERIAL     | PHOSPHOR BRONZE | UNIT   | m/m | REV.:  | A   |
| UL REC.:    | 94V-0                                  | PIN TENION LOAD: | MIN             |  信詠塑膠工業股份有限公司<br>HSIN YUNG PLASTIC INDUSTRIAL CO.,LTD<br>TEL:886-2-29953711 FAX:886-2-29990010<br>信詠塑膠電子廠<br>HSIN YUNG PLASTIC ELECTRONICS FACTORY<br>TEL:0769-6632011 FAX:0769-6635843 |     |        |     |
| TOLERANCES  | 0<L<10:±0.1 10<L<20:±0.15 20<L<40:±0.2 |                  |                 |  |     |        |     |
|             | PIN PITCH:±0.2 WALL THICKNESS:±0.05    |                  |                 |  |     |        |     |