
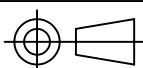


REV	REV DESCRIPTION	REV	REV DESCRIPTION

BOBBIN MATERIAL: PBT4115	UL REC. 94V-0	ANGLE: +/-1°	TITLE: 12*8	DRAWING NO. JJ-D001
PIN MATERIAL:	PIN TENSION LOAD:	UNIT: m/m	TOLERANCES	DRAWN: TONG JUAN
 <b>苏州正杰塑胶电子有限公司</b> Tel: 0512-63457130 Fax: 0512-63457132 Add: 江苏省吴江市经济开发区江陵北路		SCALE: 10/1	X.X ±0.1 X.XX ±0.05	CHECKED:
			DATE: APR. 27. 2003	REV 0